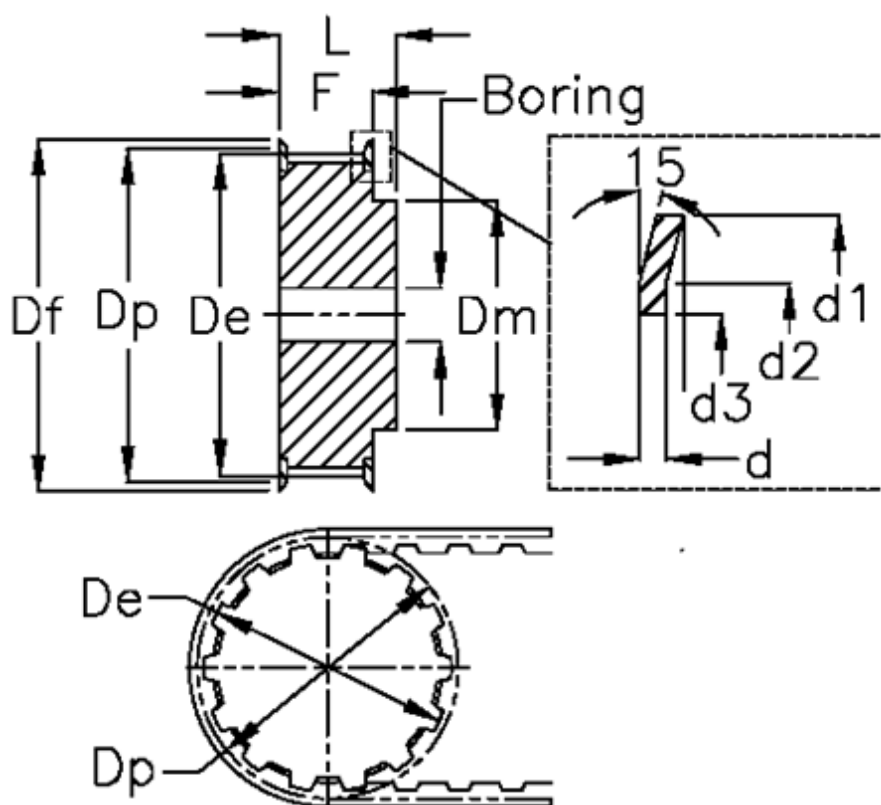


Article number: 604142018015

Description: Timing belt pulley with hub  
HTD 18 5M 15

## Measures



Bore = 6	Dp = 28.65
d = 1	F = 20.5
d1 = 32	Flange type = F10
d2 = 27.5	L = 26
d3 = 23	Tooth number = 18
De = 27.51	Type = 5M
Df = 32	Weight = 0.086
Dm = 20	Width = 15